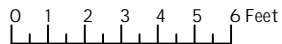
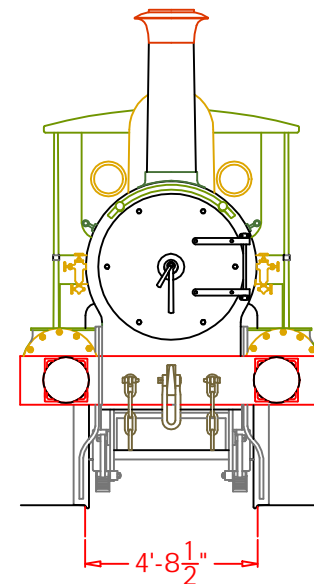
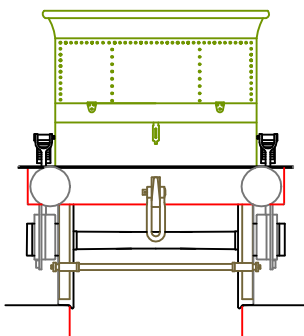


Locomotive Data
 Cylinders 18" Dia. x 24" Stroke
 Driving Wheels 5' 9"
 Pony Truck Wheels 3' 00" Dia.
 Stephenson Link Motion (Launch Links)

Building Details

Builder's No.	Road No.(G or 23)	Z14
443	23	1406
444	23	1407
445	25	1408
446	14N 404	1401
447	15N 405	1402
448	16N 406	1403
449	26	1404
450	27	1405
451	28	1409



New South Wales Govt. Railway 2-4-0 of 1865
 Beyer Peacock Order Number 779